



MacLean Power Systems
7801 Park Place Rd., York, SC 29745 USA (803) 628-2100

MPS Catalog Number



H2 90 10 050 MX SS 026

Date 7/14/2014

_____ End Fittings _____
Tower End Fitting: Gain / 12 deg / Steel

_____ Material _____
Line End Fitting 2 HL Drop Tongue / Galv. Ductile Iron

_____ Material _____
Corona Ring (Line) None

Corona Rings are recommended for applications of 230 kV and above

Mounting Angle 12

Number of Sheds 26

Rod Diameter 2.5 in

Weight Estimate 67.4 lbs 31 kg

Dimensional Values

Section Length (L): 60.1 in 1527 mm

Rubber Length (X): 50 in

Shed spacing (S): 2.0 in 50 mm

Shed Projection (P): 1.6 in 41 mm

Dry Arc Distance 52.9 in 1343 mm

Leakage Distance 137.9 in 3503 mm

Electricals Values

60 Hz dry Flashover 498 kV Min. Withstand 468 kV

60 Hz Wet Flashover 461 kV Min. Withstand 365 kV

Pos. Critical Impulse Flashover 866 kV Min. Withstand 769 kV

Neg. Critical Impulse Flashover 912 kV Min. Withstand 811 kV

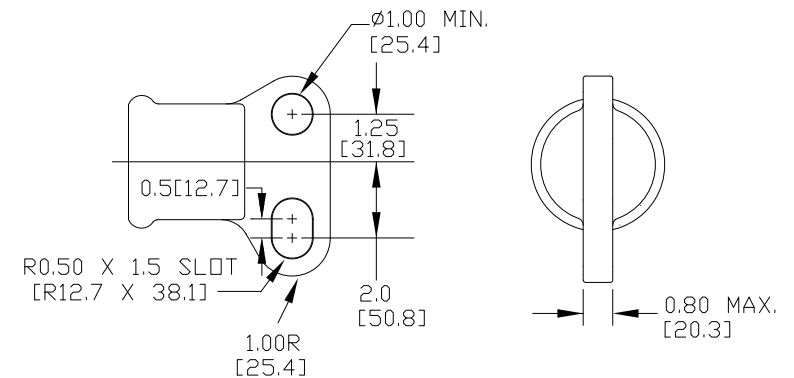
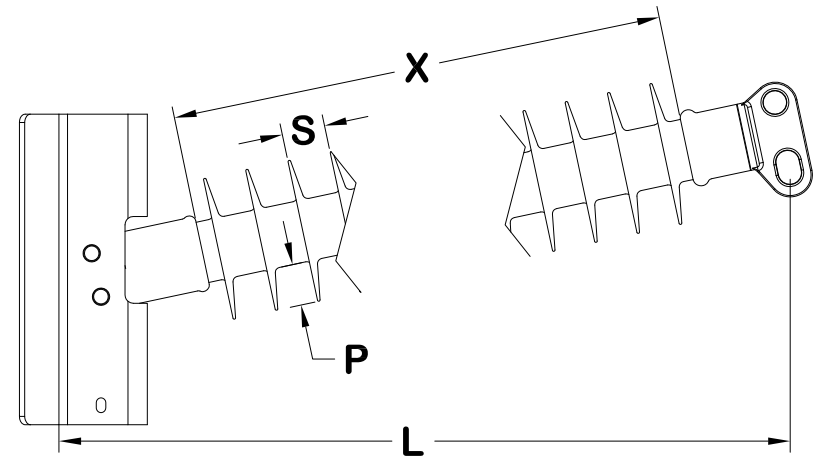
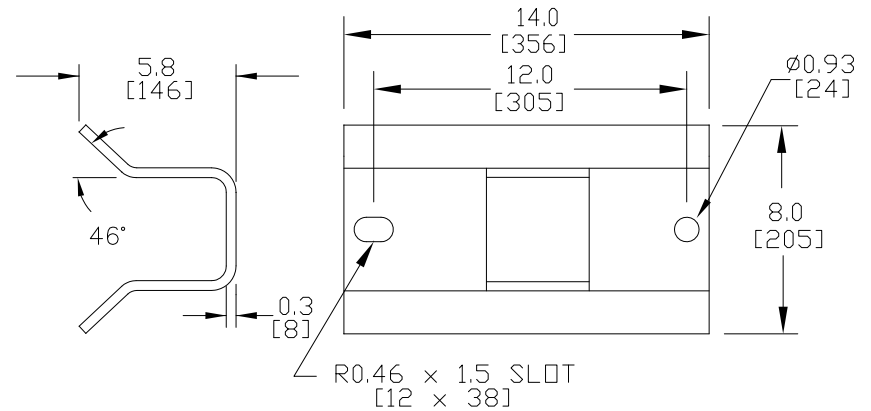
Mechanical Values

Max. Design Cant. Load (MDCL) 1,518 lbs 6.8 kN

Specified Cant. Load (SCL) 3,036 lbs 13.5 kN

Specified Tensile Load (STL) 15,000 lbs 66.7 kN

This drawing contains confidential information that is the property of MacLean Power, L.L.C. ("MacLean"). Use of MacLean's confidential information without MacLean's express written consent is strictly prohibited and may expose you to legal liability. If you believe that you received this material in error, please destroy it or return it to "MacLean Power, L.L.C., 7801 Park Place Rd., York, South Carolina 29745, USA."



Dimension: inches [millimeters]

NOTE: Drawing not actual depiction of insulator appearance

Silicone Rubber Sheath & Sheds. Complies with applicable ANSI and IEC standards.